



Where kids go  
wild for wildlife

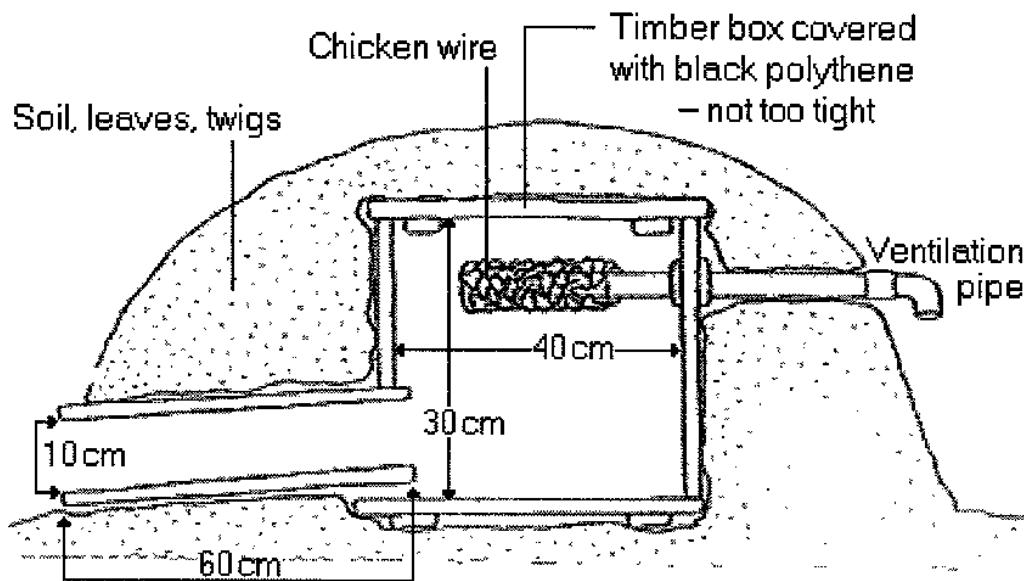
# How to make a hedgehog hibernation house



Cornwall

All a hedgehog needs for the winter is an undisturbed area away from the winter elements. Even a pile of leaves and twigs in the corner of the garden would be tempting to a homeless hedgehog.

For more salubrious accommodation try the following. Make the box from untreated timber and make sure the entrance tunnel is 10 centimetres square, no more – otherwise dogs, cats and foxes can get in. The ventilation pipe should be covered with chicken wire inside the 'house' so that leaves and twigs cannot get inside.



Contact Cornwall Wildlife Trust's Wildlife Information Service:

Tel: (01872) 240777 ext. 213

Email: [wis@cornwt.demon.co.uk](mailto:wis@cornwt.demon.co.uk)

Five Acres

Allet

TRURO

Cornwall TR4 9DJ

Fax: (01872) 225476