



Where kids go
wild for wildlife

How to make a Kent Bat Box, courtesy of Kent Bat Group



Cornwall

This box is simple to make and is low maintenance - it doesn't need cleaning as bat droppings will fall out of the crevices.

Instructions:

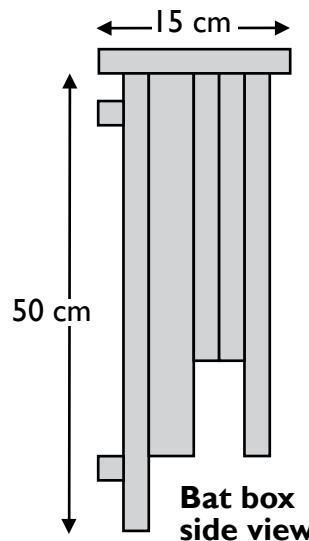
1. Mark wood to length using a pencil and ruler
2. Cut all pieces using a saw
3. Score one side of the back and middle plank pieces using the end of a nail - this is to help the bats grip the wood when they are inside the box
4. Nail the 40 cm battens (thick) on the 50 cm plank
5. Nail the 40 cm plank on the 40 cm battens
6. Nail the 25 cm battens (thin) on the 40 cm plank
7. Nail the 25 cm plank on the 25 cm battens
8. Nail the 15 cm battens on the back
9. Nail the roof on
10. Fix nails and wire to the front

Materials:

Timber should be untreated, rough-sawn, and certified as sustainably sourced by the Forest Stewardship Council (FSC).

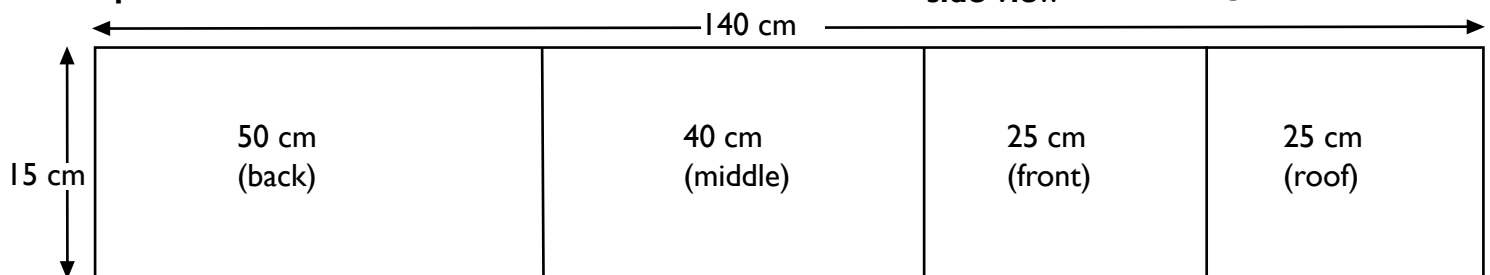
You will need:

- 140 cm x 15 cm x 1.5 cm plank
- 110 cm x 2.5 cm x 2.5 cm thick batten
- 50 cm x 2.5 cm x 1.5 cm thin batten
- 3.5 cm length galvanised nails (about 40)
- Strong wire (about 50 cm in length)

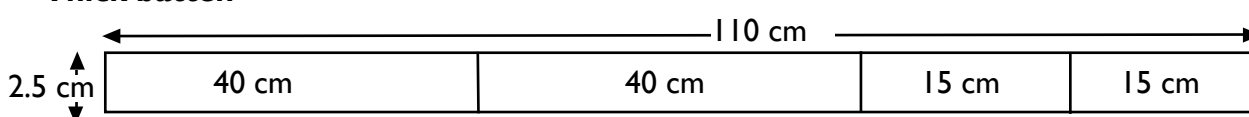


Bat box front view,
on garden shed

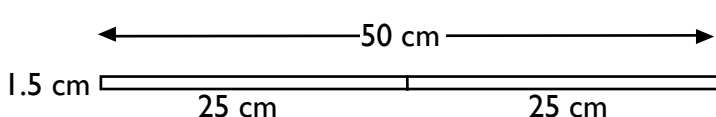
Main plank



Thick batten



Thin batten



Thanks go to the Kent Bat Group, www.kentbatgroup.org.uk, for supplying the design and allowing it to be reproduced. If you see that bats are using your box please let the Kent Bat Group know, contacts on their website.